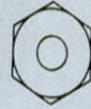


COUNT-O-MATIC SMALL PARTS ORIENTING AND COUNTING MACHINES

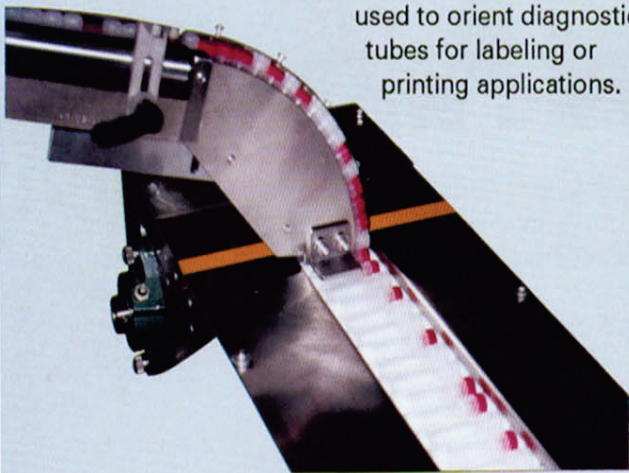


- Simple gentle delivery
- Minimal noise from its operation.
- Shown with adjustable stand, 32"-48" (81.28cm-121.92cm) from floor.

Customized delivery discharge for automatic assembly machines.



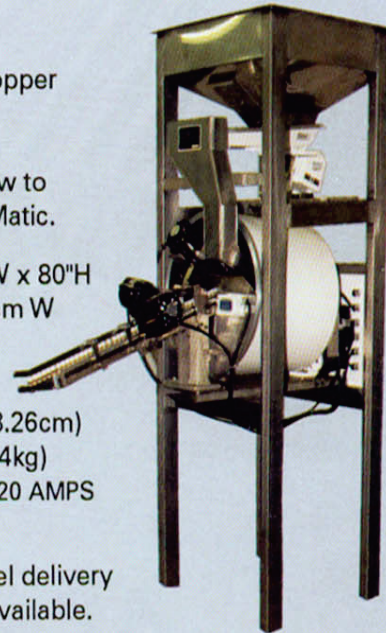
This machine can be used to orient diagnostic tubes for labeling or printing applications.



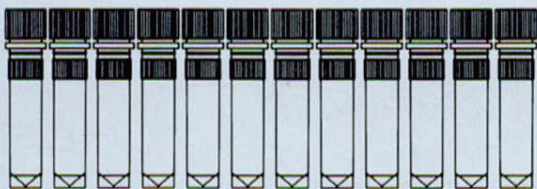
3 cu. ft. bulk feed hopper (includes stand for Count-O-Matic).
Delivers uniform flow to orienting Count-O-Matic.

Hopper: 26"L x 26"W x 80"H
(66.04cm L x 66.04cm W x 203.2cm H)

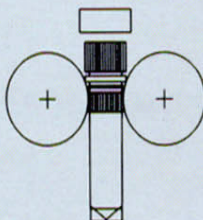
Track length: 19" (48.26cm)
Weight: 450 lbs. (204kg)
Power: 110V 60HZ 20 AMPS



Floor level delivery hopper available.

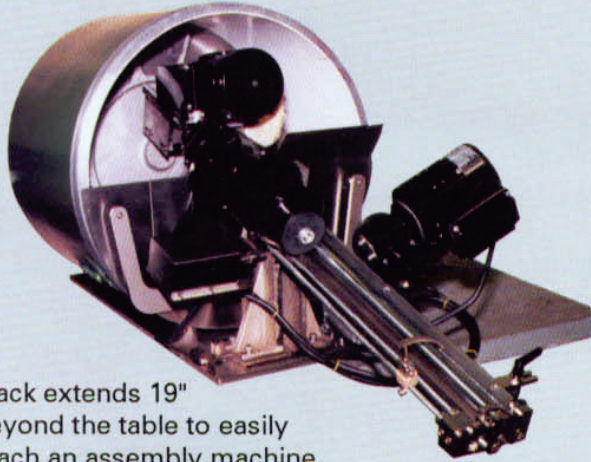


MICROCENTRIFUGE TUBES



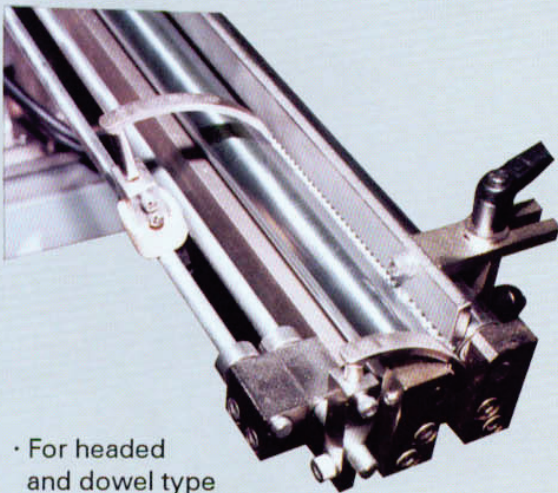
APAI COUNT-O-MATIC

SMALL PARTS COUNTING AND ORIENTING

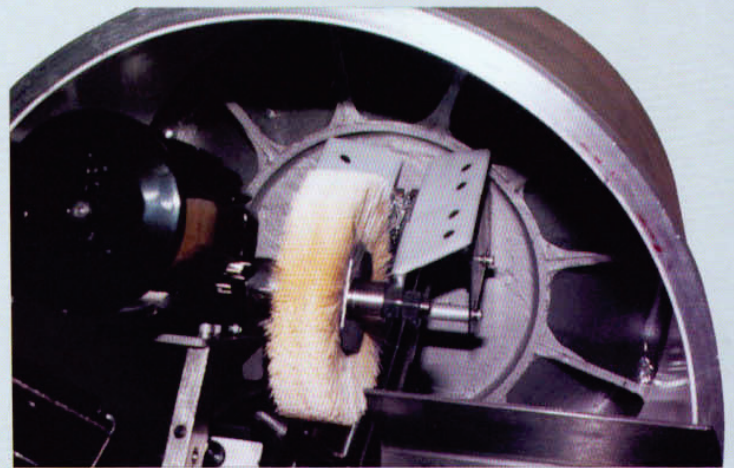


Track extends 19" beyond the table to easily reach an assembly machine, conveyor or packaging machine opening.
 52"L x 24"W x 24"H (132.08cm L x 60.96cm W x 60.96cm H)
 Weight: 250 lbs. (113.39kg)
 110V 60HZ 15 AMPS

EXAMPLES OF SOME AVERAGE FEED/COUNT SPEEDS					
ROUND HEAD MACHINE SCREWS		PLASTIC BEADS		STEEL ROLLS	
#6 x 1/2"	1100	1/4" dia.	4000	1/8" dia x 1/2 lg.	1500
#8 x 1"	500	3/8" dia.	2500	3/16" dia x 1/2 lg.	1250
1/4 x 1"	425	NAILS		7/32" dia x 1/2 lg.	1200
5/16 x 2-3/4"	100	4D - 1-1/2	230	7/32" dia. x 3/4 lg.	1000
HEX NUTS		6D - 1-1/8	550	0.93" dia. x 2-1/2 lg.	100
1/4 - 20	1900	LIPSTICK CASES - 300			
3-8/16	1400	DIAGNOSTIC AMPOULES - 300			



- For headed and dowel type hardware.
- Easy to adjust mechanical count.
- Product sensing for counting, depending on product style.



Quiet turning barrel delivers product to roller track. Brush or special cammed knock off wheel brushes the nonoriented product back into the bowl. Oriented product then travels down the roller or slide track to be counted or delivered to the next operation.

APAI

ACTION PACKAGING AUTOMATION, INC

15 Oscar Drive Roosevelt, NJ 08555-0190
 (800) 241-APAI (609) 448-9210 FAX (609) 448-8116
 sales@apaiusa.com www.apaiusa.com